

# VIADRUS K4



WALL-HUNG GAS CONDENSING BOILER | AUTOMATIC GAS BOILERS

# VIADRUS

Your home heating  
since 1888

# VIADRUS K4

## Wall-hung gas condensing boiler

VIADRUS K4 belongs to a series of wall-hung condensing boilers. The boiler exchanger is made of quality stainless steel.

The boilers are delivered in 3 variants: for heating only without DHW preparation, with flow DHW heating and with a possibility to be connected to an external indirect heating storage tank.

### Output range:

5–24 kW



### Advantages:

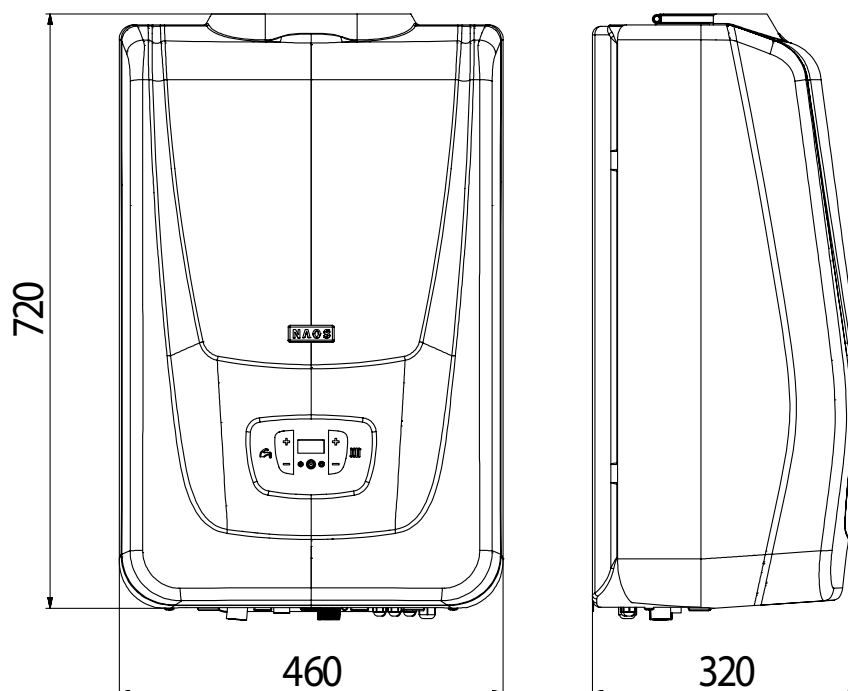
- simple operation
- efficiency up to 105%
- quiet running
- wide modulation range
- ready for external temperature sensor
- easy instalation, assembly and service
- anti-frost protection



**Technical specifications**

| Variations   |                      | K4G1S24ZX                       | K4G1S24PX       | K4G2S24ZX                       | K4G2S24PX       | K4G3S24ZX                       | K4G3S24PX       |
|--|----------------------|---------------------------------|-----------------|---------------------------------|-----------------|---------------------------------|-----------------|
| Fuel type  | •                    | Natural gas                     | Propane         | Natural gas                     | Propane         | Natural gas                     | Propane         |
| Category of appliance                                      | •                    | I <sub>2H</sub> I <sub>2E</sub> | I <sub>3P</sub> | I <sub>2H</sub> I <sub>2E</sub> | I <sub>3P</sub> | I <sub>2H</sub> I <sub>2E</sub> | I <sub>3P</sub> |
| Heating output range                                       | kW                   | 5–24                            |                 |                                 |                 |                                 |                 |
| Rated output 80/60 °C (P)                                  | kW                   | 22.2                            |                 |                                 |                 |                                 |                 |
| Rated output 50/30 °C (P)                                  | kW                   | 24                              |                 |                                 |                 |                                 |                 |
| Minimum output 50/30 °C (P)                                | kW                   | 5                               |                 |                                 |                 |                                 |                 |
| Rated input – max. (Q)                                     | kW                   | 22.8                            |                 |                                 |                 |                                 |                 |
| Rated input – min. (Q)                                     | kW                   | 4.6                             |                 |                                 |                 |                                 |                 |
| Dimensions – width × height × depth                        | mm                   | 460 × 720 × 320                 |                 |                                 |                 |                                 |                 |
| Weight   | kg                   | 26                              |                 | 27.5                            |                 | 26.5                            |                 |
| Efficiency nominal output and temperature gradient 80/60°C | %                    | Up to 98                        |                 |                                 |                 |                                 |                 |
| Efficiency nominal output and temperature gradient 50/30°C | %                    | Up to 105                       |                 |                                 |                 |                                 |                 |
| Chimney connection diameter                                | mm                   | 80/60                           |                 |                                 |                 |                                 |                 |
| Air intake connection diameter                             | mm                   | 80/100                          |                 |                                 |                 |                                 |                 |
| Heating water working overpressure                         | bar                  | 2.5                             |                 |                                 |                 |                                 |                 |
| Heating water setting range                                | °C                   | 25–85                           |                 |                                 |                 |                                 |                 |
| Domestic hot water setting range                           | °C                   | 35–65                           |                 |                                 |                 |                                 |                 |
| Mass flow rate of flue gas                                 | kg/hour              | 8–45                            |                 |                                 |                 |                                 |                 |
| Volume flow rate of fuel                                   | m <sup>3</sup> /hour | 0.5–2.4                         | 0.2–0.9         | 0.5–2.4                         | 0.2–0.9         | 0.5–2.4                         | 0.2–0.9         |
| Connecting overpressure of fuel                            | mbar                 | 20                              | 37              | 20                              | 37              | 20                              | 37              |
| Boiler connection  |                      |                                 |                 |                                 |                 |                                 |                 |
| Heating water output                                       | •                    | ¾"                              |                 |                                 |                 |                                 |                 |
| Heating water input to the heater                          | •                    | •                               |                 | ½"                              |                 | ½"                              |                 |
| Return heating water input                                 | •                    | ¾"                              |                 |                                 |                 |                                 |                 |
| Return water input from the heater                         | •                    | •                               |                 | ½"                              |                 | ¾"                              |                 |
| Gas inlet  | •                    | ¾"                              |                 |                                 |                 |                                 |                 |
| Noise level  | dB                   | < 50                            |                 |                                 |                 |                                 |                 |
| Connecting voltage   | •                    | 1/N/PE 230VAC 50 Hz, TN-S       |                 |                                 |                 |                                 |                 |
| Electric power input including pump                        | W                    | 110                             |                 |                                 |                 |                                 |                 |
| Electric protection  | •                    | IP40                            |                 |                                 |                 |                                 |                 |

VIADRUS K4 – drawing



LEAFLET

14

Your seller

**VIADRUS**

VIADRUS a.s.  
Bezručova 300 | 735 81 Bohumín  
Czech Republic  
phone: +420 596 083 050  
fax: +420 596 082 822  
mail: [info@viadrus.cz](mailto:info@viadrus.cz)  
► [www.viadrus.cz](http://www.viadrus.cz)

