

VIADRUS

Power of heating

G350

Cast-iron boiler for jet burner

VIADRUS G350 is three-pass floor-standing boiler equipped with cast-iron heat exchanger and overpressure combustion chamber. It is determined for low-pressure hot-water central heating systems with forced circulation. Maximum temperature of heating water is 90°C. Boiler is ready to be equipped with some of recommended Bentone, Cuenod, Intercal or Weishaupt jet burners. Environmentally friendly operation is guaranteed while using recommended burners.

Advantages:

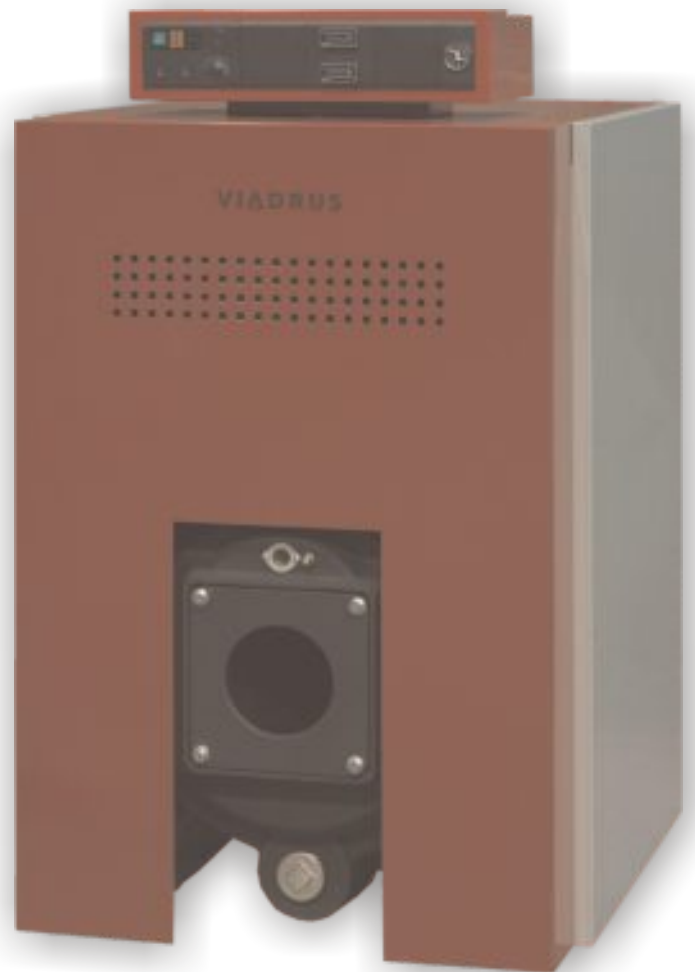
- long service life of cast-iron boiler block
- high burning efficiency for all fuels
- economical operation
- delivery including the burner (on demand)
- fully automatic two-stage output operation for selected burners
- operational status signalization or operational data transfer for outer loop control
- boiler control by thermal sensor or by outer loop control
- delivery of assembled or disassembled boiler according to order
- customer choice left or right opening of both closing and burner plate
- easy access of sight hole and combustion chamber overpressure measuring point (probe)
- possibility of cascade operation by outer loop control

Fuel:

- natural gas
- biogas
- heating oil

Boiler output (according to fuel and section number):

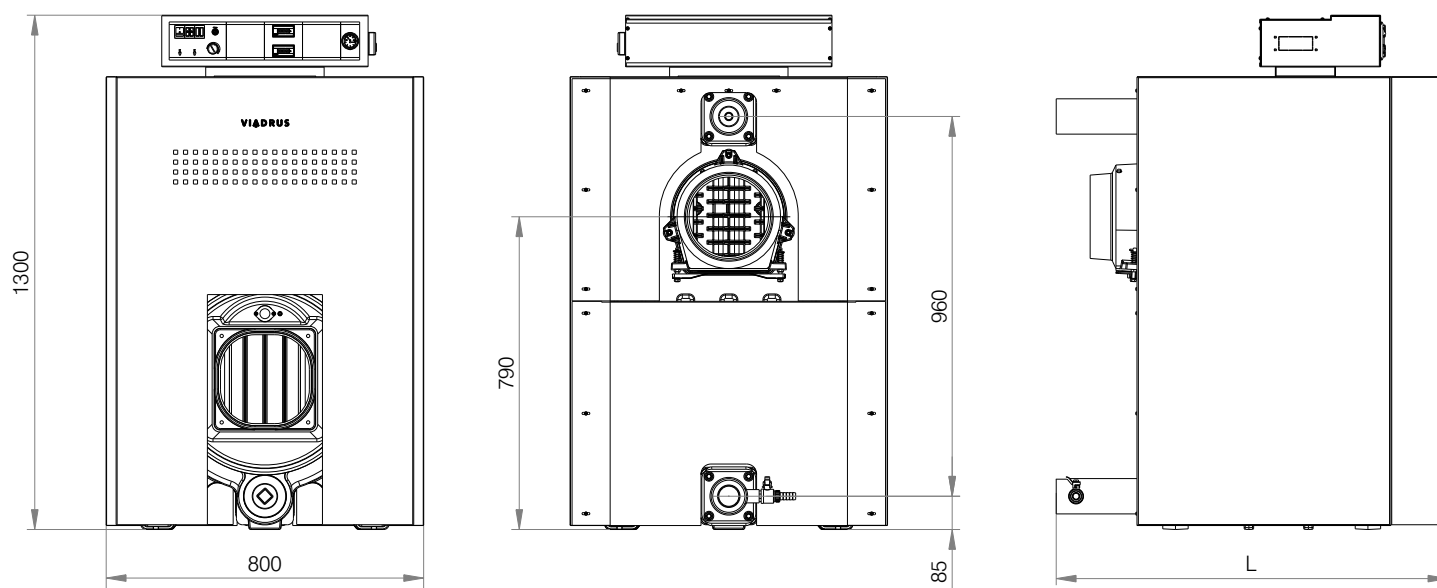
- 92~320 kW



Technical parameters

Section number	pcs	4	5	6	7	8	9	10	11
Rated heating output	kW	92,5	125,0	157,5	190,0	222,5	255,0	287,5	320,0
Rated thermal power	kW	100	134	169	202	237	271	306	340
Fuel consumption - natural gas, biogas	m ³ /hour	10,6	14,2	17,9	21,4	25,1	28,7	32,4	36,0
- heating oil	kg/hour	according to burner							
Efficiency	%	92,5~94,0							
Flue gases maximum temperature	°C	<185							
Combustion chamber maximum overpressure	kPa	0,2							
Dimensions - width x height	mm	800 x 1300							
- depth L	mm	990	1140	1290	1440	1590	1740	1890	2040
- combustion chamber depth	mm	485	635	785	935	1085	1235	1385	1635
Minimum length of burner nozzle	mm	125							
Maximum burner protrusion in comb. chamber	mm	50							
Burner assembly hole diameter	mm	150*							
Weight	kg	402	500	597	695	792	890	987	1085
Chimney connection diameter	mm	210							
Chimney draught	Pa	>5							
Heating and return water connection	mm	89							
Water working overpressure	kPa	<400							
Water testing overpressure	kPa	800							
Water working temperature	°C	<90							
Water volume	l	57	76	95	114	134	153	172	191

*) Different burner assembly hole is available on request.



Cast-iron boiler sections - front / central / rear



Your dealer